

## STANDARD CONSTRUCTION

**LOUVER:** Frame and blade are .081" thk. (nominal) extruded aluminum 6063-T52/T6 alloy, w/ post corner construction.

**SCREEN:** (When indicated, in a removable frame)  
 1/2" flattened aluminum, .051" thk.,  
 -or- Insect screen 1 1/16" aluminum mesh, .011" dia.,  
 -or- 1/2" sq. mesh intermediate double crimped aluminum wire, .063" dia.

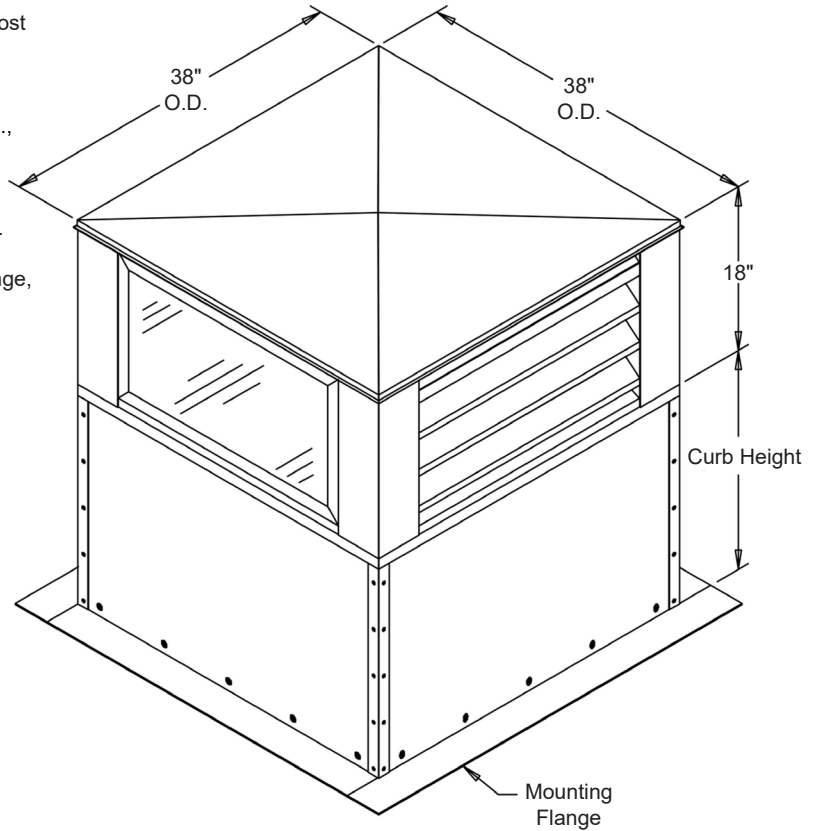
**FINISH:** Varies.  
**SIZE:** 38" x 38" x 18", sits on a curb 12" - 36" high.  
**CURB:** 12 GA. Galvanneal, galvanized steel or 1/8" thk. (nominal) aluminum w/ 4" mounting flange, welded construction.

**ROOF:** .060" thk. (nominal) formed aluminum with 1/2" thk. (nominal) rigid insulation.

**POST CORNER:** .081" thk. (nominal) formed aluminum.

**GLASS:** 1/8" thk. (nominal) annealed glass.

**ROOF OPENING:** 28" x 28" minimum, 38" x 38" maximum.



## LOUVER DETAILS

**MODEL:** EL48 (Louvers & Dampers)

**SIZE:** 30" x 18" (3) three required.

**FREE AREA:** 4.905 sq. ft. Total.

## CONTROL DAMPER DETAILS

**MODEL:** KH1H Class I - 250° Smoke Damper (Louvers & Dampers)

**SIZE:** 26" x 26" O.D. (nominal)

**ACTUATOR:** Internally mounted power close spring open (fail open) 120 VAC actuator w/ open/closed indicator.

**CORE AREA:** 4.38 sq. ft.

## OPTIONS

- Hinged louver with hasp or surface mount latch in place of access door in curb.

## NOTES

1. Actuator access door in ductwork supplied and installed by others.

Item #	Qty	Width	Height	Curb Height	Glass Access	Hinged Access	Tagging	Union Made
		Roof Opening						
<b>Arch. / Eng. :</b>				<b>EDR:</b>		<b>ECN:</b>		<b>Job:</b>
<b>Contractor:</b>								
<b>Project:</b>				<b>Date:</b>		<b>DWN:</b>		<b>DWG:</b>

In the interest of product development, Louvers & Dampers reserves the right to make changes without notice.

## PENTHOUSE OPTIONAL CONSTRUCTION

